

APPLICATION:

JOB NAME:

QUANTITY:                      ITEM NO.

PRODUCT NAME:  
 PRE-RINSE, SPRING STYLE,  
 BACKSPASH MOUNT

SPECIAL CONFIGURATION  
 CHECK BASE MODEL AND OPTIONS

MODEL:  
 13390      ULTRA SPRAY VALVE, WALL BRACKET  
 13366      ULTRA SPRAY VALVE, NO WALL BRACKET

OPTIONS OR MODIFICATIONS:  
 SUPPLY LINES (24" OR 36") CIRCLE LENGTH  
 ADD-ON FAUCET (6", 8", 10", 12", 14", 16") CIRCLE  
 IN-LINE DUAL CHECK VALVE  
 BRUSH  
 ELBOWS  
 VANDAL RESISTANT KIT  
 HANDLES (CROSS OR WRIST) CIRCLE STYLE  
 OTHER \_\_\_\_\_

**FEATURES**

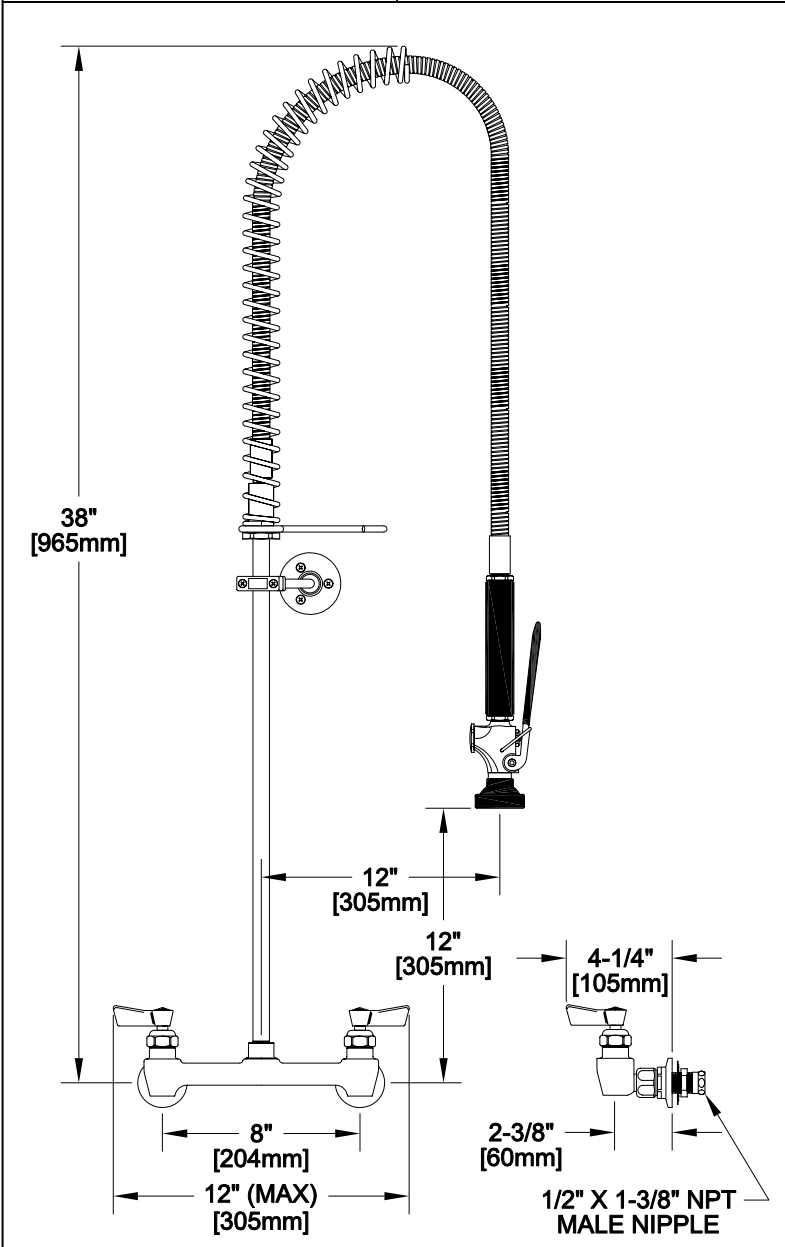
- CONTROL VALVE**
- \* 8" BACKSPASH MOUNT
  - \* INTERNAL SPRING LOADED CHECK VALVES
  - \* SWIVELLING SEAT DISKS
  - \* HOT SIDE STEM - RIGHT HAND
  - \* COLD SIDE STEM - LEFT HAND
  - \* STAINLESS STEEL SEATS
  - \* STAINLESS STEEL SEAT SCREWS
  - \* STAINLESS STEEL HANDLE SCREWS
  - \* 1/2" SLIP JOINT KIT

- HOSE**
- \* 36" LENGTH
  - \* STAINLESS STEEL END FITTINGS
  - \* STAINLESS STEEL EXTERNAL JACKET
  - \* 3 PLY FIBER REINFORCED INTERNAL RUBBER HOSE
  - \* REPAIRABLE IN FIELD WITH SIMPLE TOOLS

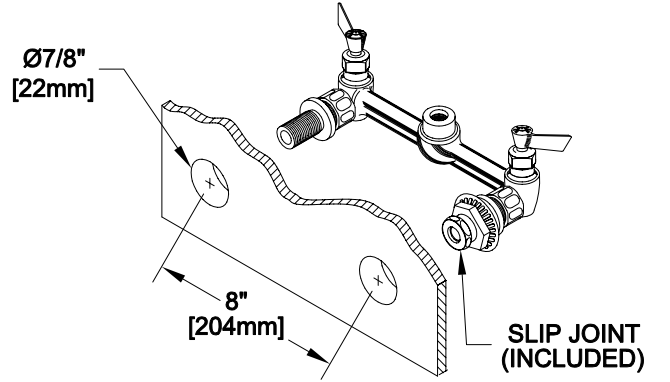
- ULTRA SPRAY VALVE**
- \* LOWEST ENERGY USER - 1.15 GPM @ 60 PSI
  - \* CLEANS FASTER - TEST PROVEN
  - \* ENGINEERED TO LAST - NO 'O' RINGS TO LEAK
  - \* INTERCHANGEABLE - FITS ALL BRANDS

- SYSTEM LIMITS**
- \* TEMP: 40°F MIN. TO 140°F MAX.
  - \* PRESSURE: 200 PSI MAX. STATIC

- SHIPPING WEIGHT**
- \* 12.0 LBS



**ROUGH-IN:**



**FISHER**  
 FISHER MANUFACTURING COMPANY  
 TOLL FREE: 800-421-6162 - FAX: 800-832-8238  
 information@fisher-mfq.com - www.fisher-mfq.com